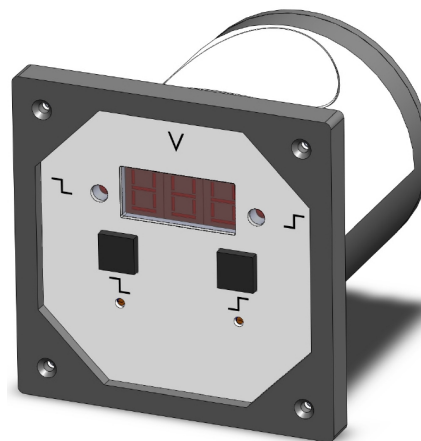




# SERIE 744510

- Voltmetric balance 24V or 48V
- Nuclear application
- High Reliability
- Guaranty : 24 months



## TECHNICAL SPECIFICATION

Number of digits : 3 seven segment display ( **V.V.V** )  
 Reading precision : <1% +/- 1 DIGIT  
 Reading per seconde : 3  
 Power consumption : 3W Max.

Dielectric between Primary/Earth : 1000 VAC-50Hz / 1 min  
 Dielectric between Primary/Secondary : 2300 VAC-50Hz / 1 min  
 Dielectric between Secondary/Earth : 510VAC-50Hz / 1 min  
 Insulation Pr. + Sec. : >1000 Mohm with 500VDC

Main protection : internal Fuse1A 250VAC

Operating Température : 0 à +50°C  
 Storage Temperature : -25 à +70°C  
 Humidity : 5 à 95% à +40°C  
 IP 30  
 Weight : < 580 gr

LED Default: 2 red (Min. and Max.) for default threshold  
 Contacts relay (4-5-6 and 10-11-12) : 220VDC/250VAC-3A Max.

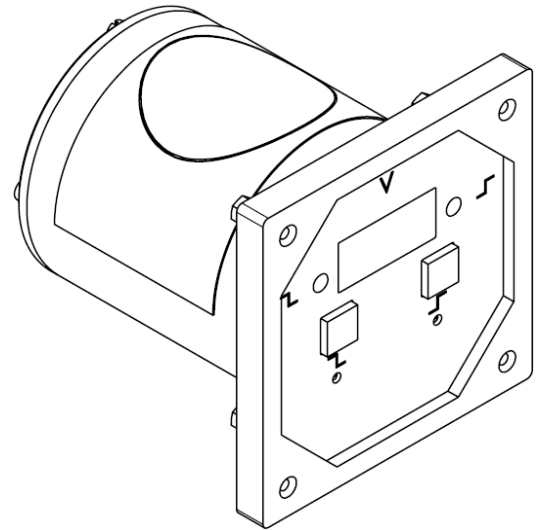
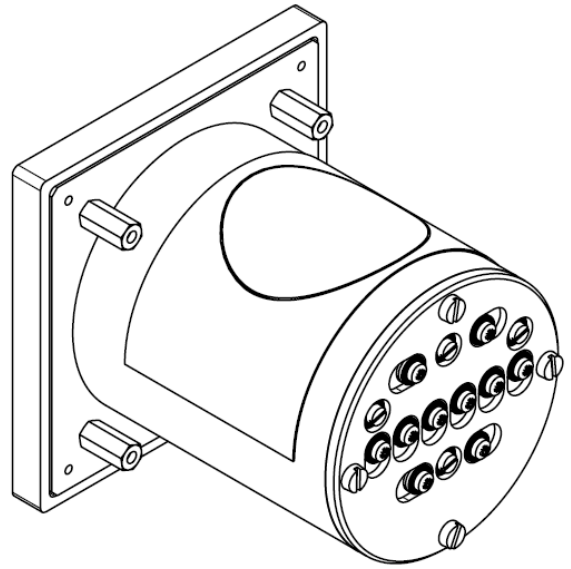
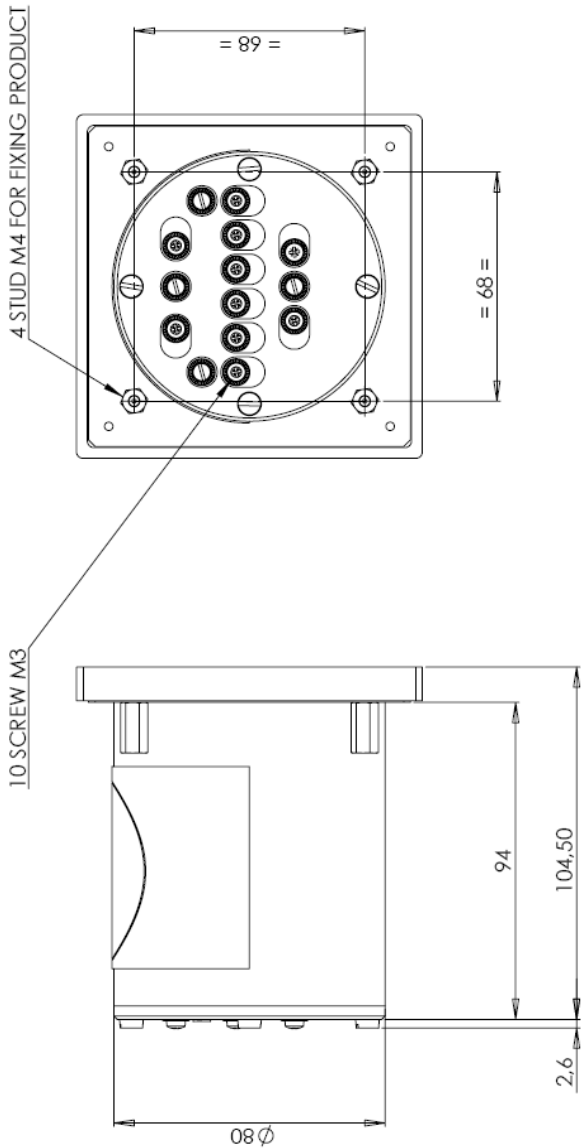
CE, RoHS

## STANDARD MODELS

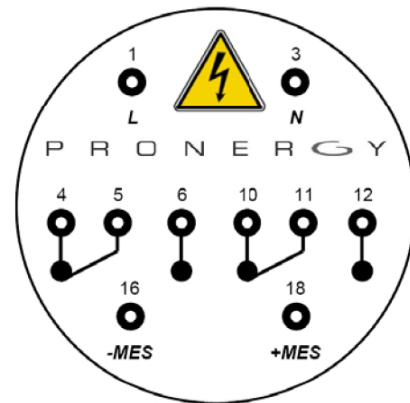
Input Voltage "MES"	Main		Adjustment Threshold	Reference
	Voltage	Frequency		
0 – 65VDC	187 to 253VAC	47 to 63Hz	20 to 40VDC (1)	744510 - 24V type
0 – 65VDC			30 to 60VDC (1)	744510 - 48V type

(1) : Adjustment threshold with two potentiometers on front (need a screwdriver)

**DIMENSIONS**



**Connection schematic**



NB : Contacts (4-5-6 for max.threshold and 10-11-12 for min.threshold) are shown with power off or voltage limit reached.

