

EH22



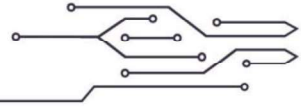
- Main Microprocessor
 - ✓ Infineon Aurix TC275
 - ✓ 200MHz
 - ✓ 4M Flash
 - ✓ 472K SRAM
 - ✓ Float Point Capability
 - ✓ Dual Core Safety Check
- Inputs
 - ✓ 15 Analog Inputs
 - ✓ 20 Digital Inputs
 - ✓ 2 Frequency Inputs
 - ✓ 1 Wake-up Input
- Outputs
 - ✓ 10 High-Side Drivers
 - ✓ 26 Low Side Drivers
(10 of which could be configured as PWM outputs)
- 9-32 V Operating Voltage
- Communication
 - ✓ 4 CAN 2.0B
 - ✓ 1 FlexRay
 - ✓ 1 LIN
- Sensor 5V Supply: 9 channels
- Environmental
 - ✓ -40°C to +85°C Operating
 - ✓ ISO16750 Compliant
- Simulink Model Based Design

FAAR SAS

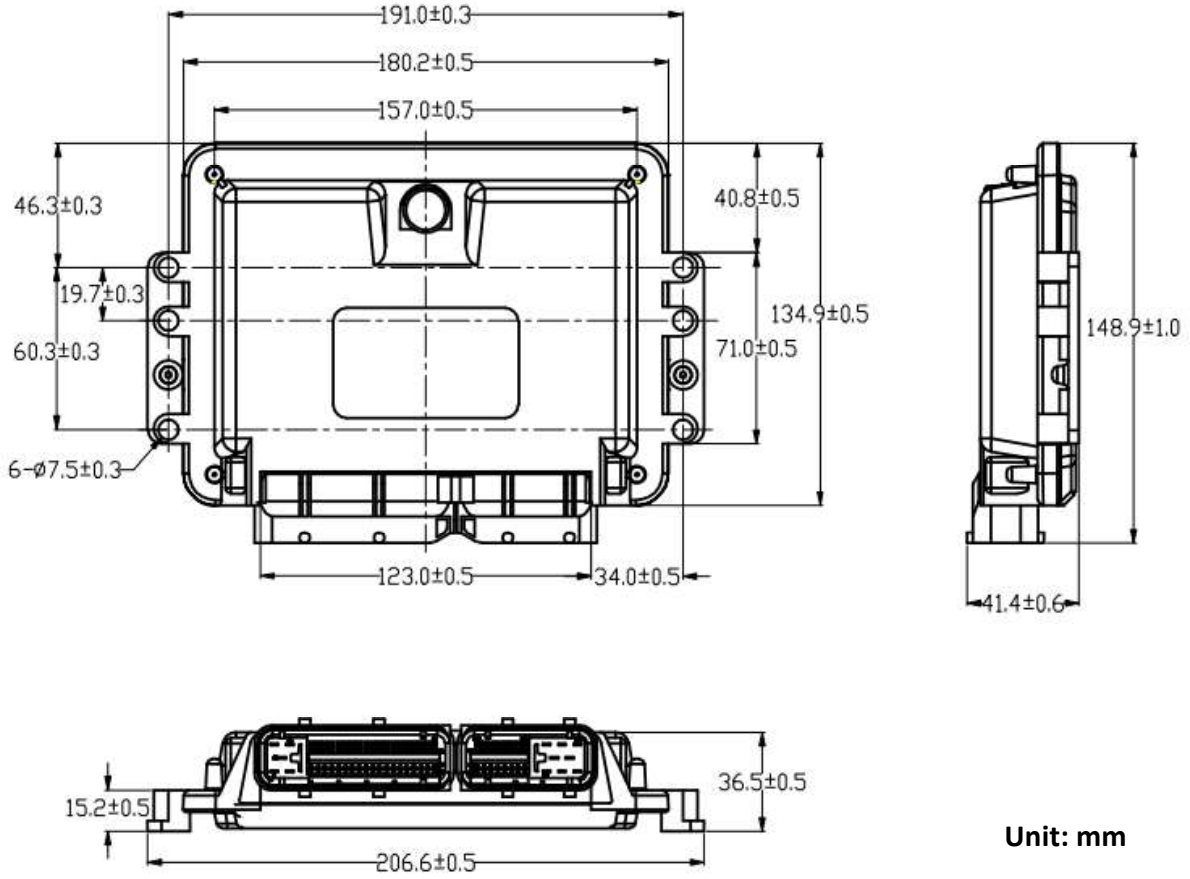
Bâtiment Narcisse,
18, avenue du Québec,
91140 Villebon-sur-Yvette – France

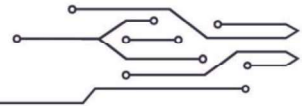
+33 (0)1 60 19 79 70
info@faar-industry.com
www.faar-industry.com

Société immatriculée au RCS d'Evry
sous le numéro B 452 806 813
code APE : 7490B



2.2 Mechanical Dimensions





3.3 System Example

This simple system diagram provides a sample application for VCU hardware resource. It only illustrates the some typical connections. The full wiring connection is to be defined for specific user applications.

