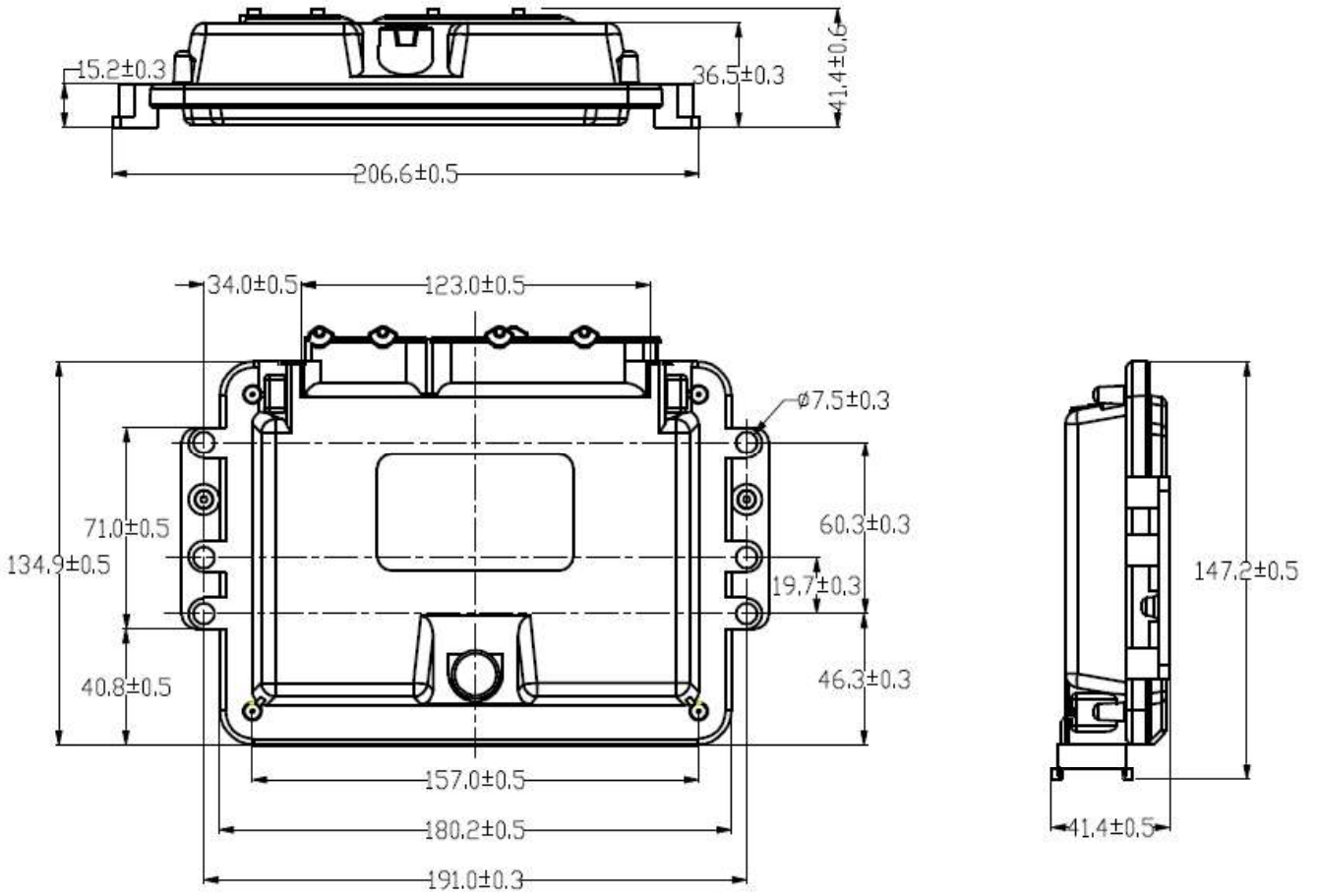
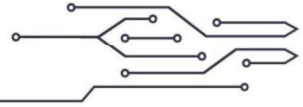
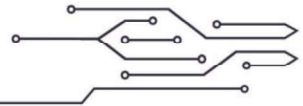


# ET32



- Main Microprocessor
  - ✓ NXP SPC56xx
  - ✓ 64MHz
  - ✓ 1M Flash
  - ✓ 80K SRAM
  - ✓ Float Point Capability
- Monitor Microprocessor
  - ✓ NXP S9S08
  - ✓ Automotive rated 8-bit
- Inputs
  - ✓ 12 Analog Inputs
  - ✓ 10 Digital Inputs
  - ✓ 6 Frequency Inputs
  - ✓ 3 Wake-up Inputs
- 9-32 V Operating Voltage
- Outputs
  - ✓ 4 High-Side Drivers (all 4 channels could be configured as PWM outputs)
  - ✓ 8 Low-Side Drivers
- Communication
  - ✓ 3 CAN 2.0B channels
- 5V Sensor Supply
  - ✓ 2 channels
- Environmental
  - ✓ -40°C to +85°C Operating
  - ✓ ISO16750 Compliant
- Simulink Model Based Design
- OTP: 6KB





### 3.3 System Example

