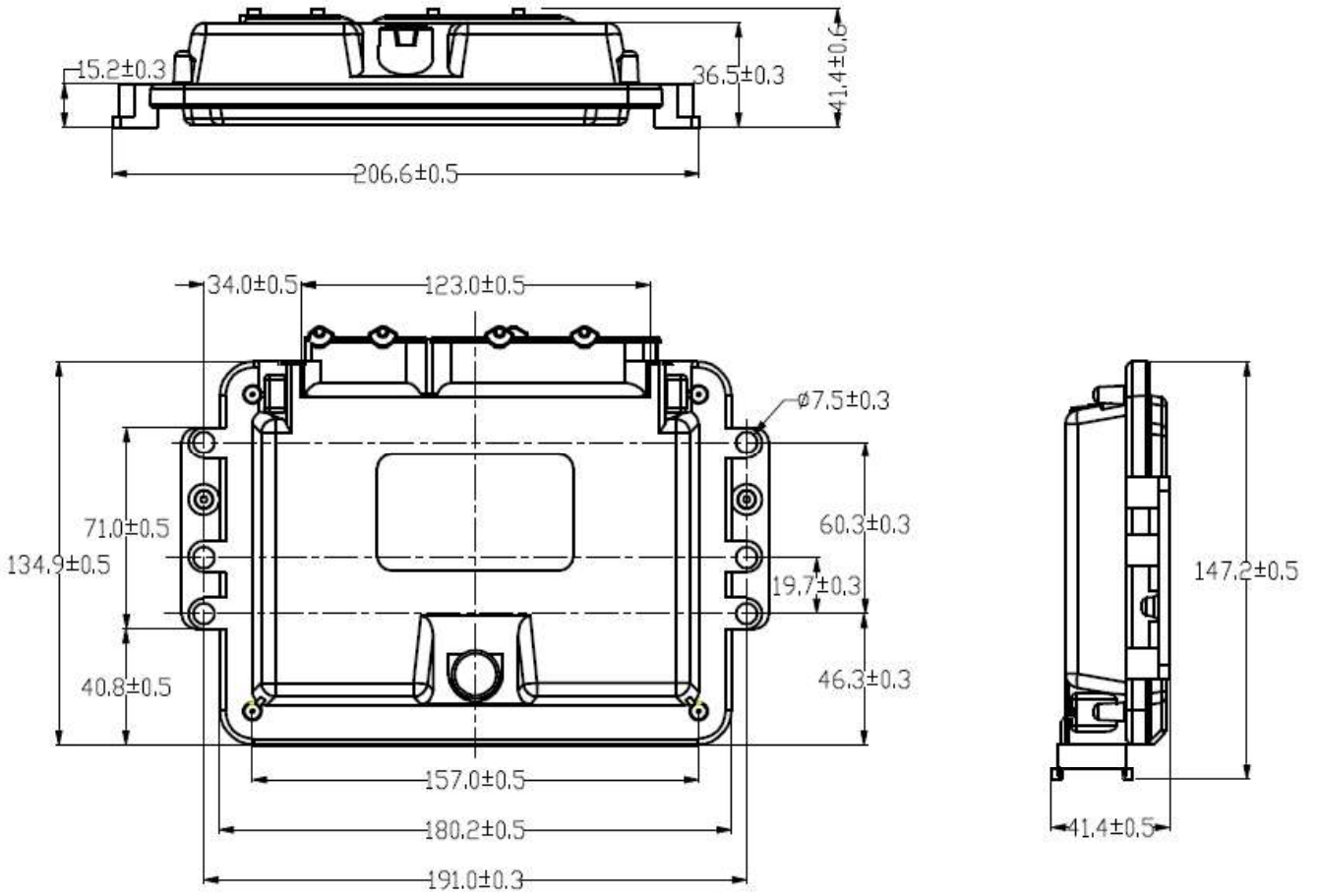
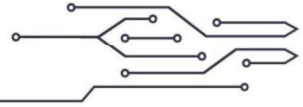
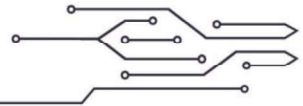


ET32



- Main Microprocessor
 - ✓ NXP SPC56xx
 - ✓ 64MHz
 - ✓ 1M Flash
 - ✓ 80K SRAM
 - ✓ Float Point Capability
- Monitor Microprocessor
 - ✓ NXP S9S08
 - ✓ Automotive rated 8-bit
- Inputs
 - ✓ 12 Analog Inputs
 - ✓ 10 Digital Inputs
 - ✓ 6 Frequency Inputs
 - ✓ 3 Wake-up Inputs
- 9-32 V Operating Voltage
- Outputs
 - ✓ 4 High-Side Drivers (all 4 channels could be configured as PWM outputs)
 - ✓ 8 Low-Side Drivers
- Communication
 - ✓ 3 CAN 2.0B channels
- 5V Sensor Supply
 - ✓ 2 channels
- Environmental
 - ✓ -40°C to +85°C Operating
 - ✓ ISO16750 Compliant
- Simulink Model Based Design
- OTP: 6KB





3.3 System Example

